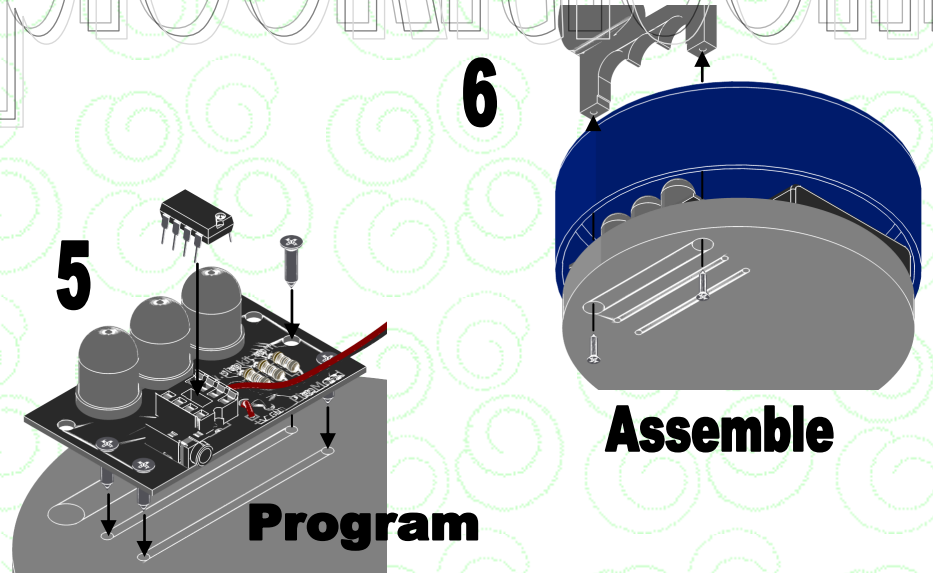
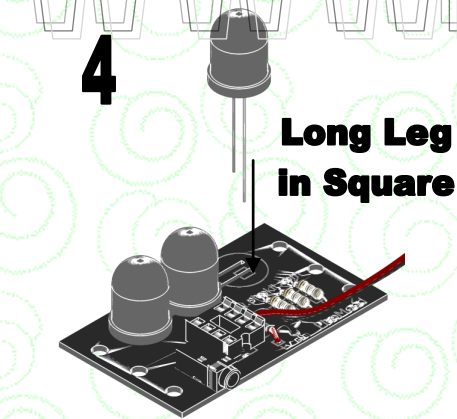
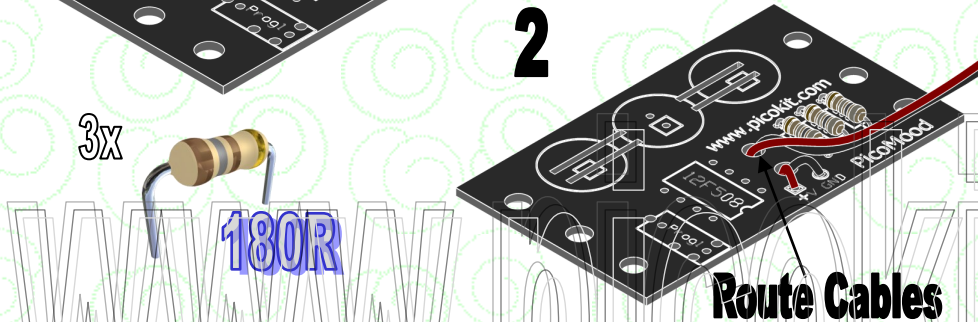
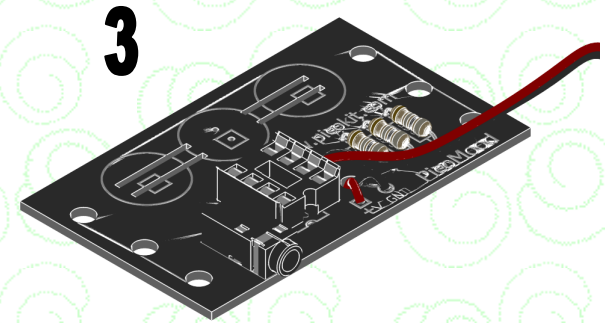
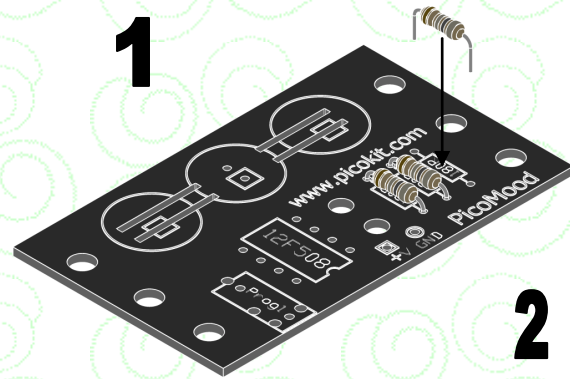


# PicoKit

The Place for Small Kits



**Align LEDs**

**Program**

**Assemble**

# PicoKit

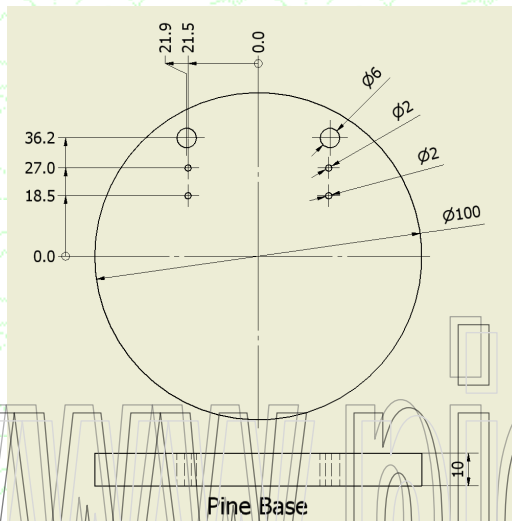
The Place for Small Kits



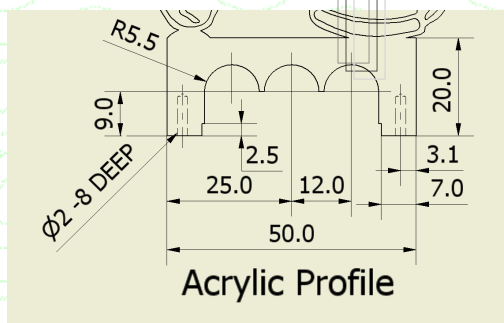
PicoMood

# Design

1

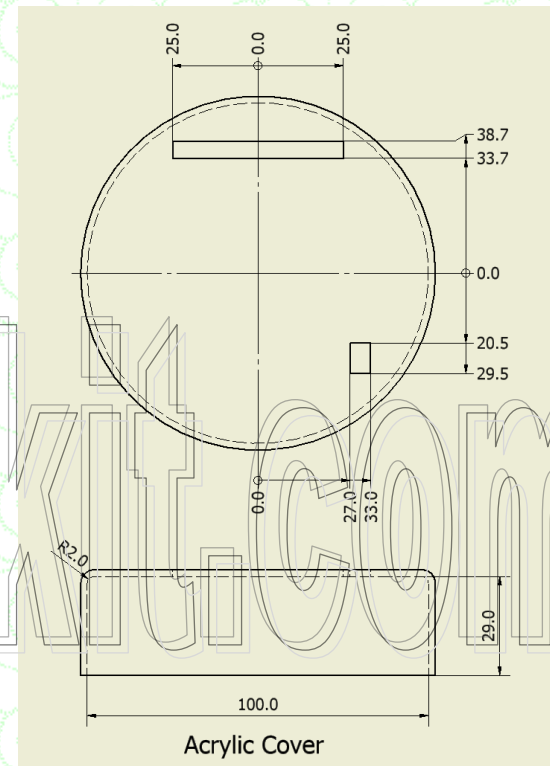


2



Laser Cut

3



Vacuum Form  
then  
Laser Cut